

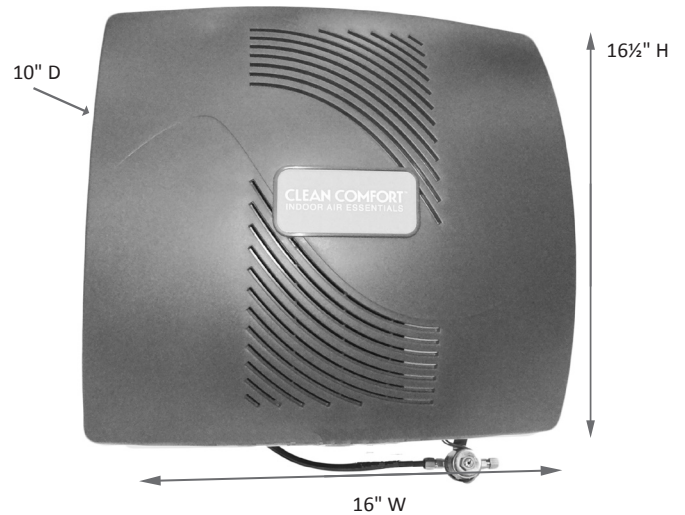
Evaporative Power Humidifier Model HE18

CLEAN COMFORT™

INDOOR AIR ESSENTIALS

Specifications:

- Model: HE18 (A & M) Evaporative Power Humidifiers
- Type: Evaporative Flow Through, Powered
- Capacity: 18 Gallons Per Day
- Limited Warranty: 10 Years Parts*
- Replacement Evaporator Pad: HEP-GA19
(Replace 1-2 times per season depending on water hardness and conditions in the home)
- Dimensions: 16" W x 16½" H x 10" D
- Weight: 15 Lbs.
- Home Size: To 3,000 Sq. Ft.
- Installation: Warm Air / Return Air Plenum
- Plenum Opening: 14" W x 12" H
- Pallet Qty: 24
- Cabinet Construction: Ultra-Violet Stable Automotive Grade Plastic
- Humidistat: "M" Models: HEP-MHX3C / "A" Models: HEP-GFX3 (Included)
- In Box: Humidifier, Humidistat, 24VAC Transformer, Solenoid Valve, Evaporator Pad, Saddle Valve, (HEP-GCV3412 Code Valve - A Models), Installation Instructions, Template, Parts.
- Voltage: 120V



* Complete warranty details available from your local dealer or at www.cleancomfort.com

Maintenance Parts

Description	Part Number
Replacement evaporator pad	HEP-GA19

HEP-GFX3

Included with "A" Models

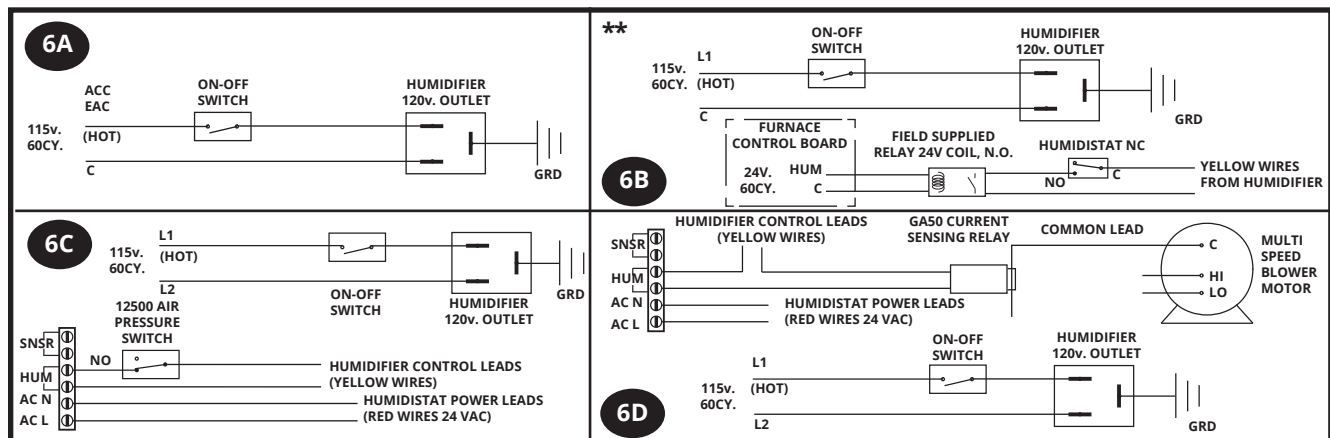
- 6A - With Furnace Circuit Board - With Mechanical Humidistat Only
 - 6B - With Constant Power to Humidifier - With Mechanical Humidistat Only
- **Red Wires Are Not Used for This Wiring Method



HEP-MHX3C

Included with "M" Models

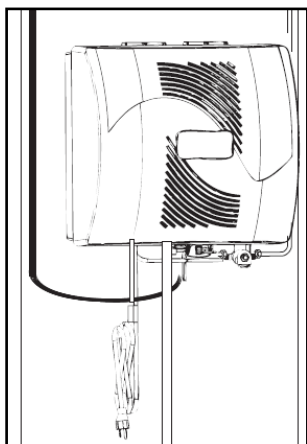
- 6C - With Electronic Humidistat - Pressure Sensing
- 6D - With Electronic Humidistat - Current Sensing



TECHNICAL SUPPORT • 1-855-303-1821 • www.cleancomfort.com

Installation

Vertical plenum surface of any forced air furnace



At Outside Temperature		Recommended Setting
-20°F	-29°C	15%
-10°F	-23°C	20%
0°F	-18°C	25%
10°F	-12°C	30%
20°F	-7°C	35%
30°F	-1°C	40%

Expected Humidity Performance Coverage in Sq. Ft. Based on Construction Type

Model No.	GPD	Loose (0.75 AC/H)	Average (0.50 AC/H)	Tight (0.30 AC/H)
HE12	12	800 Sq. Ft.	1200 Sq. Ft.	2000 Sq. Ft.
HE17	17	1115 Sq. Ft.	1650 Sq. Ft.	2800 Sq. Ft.
HE18	18	1175 Sq. Ft.	1770 Sq. Ft.	3000 Sq. Ft.

Humidifier Performance Baseline Criteria

Outside Design Temp.	0°F (-18°C)
Outside Design R.H.	70% R.H.
Inside Design Temp.	70°F (21°C)
Inside Design R.H.	30% R.H.
Air Changes / Hour (AC/H)	0.30
Ceiling Height	8 ft.
Furnace Plenum Temp.	120°F (49°C)
Furnace Run Time for Calculating Sq. Ft.	8 Hr. / Day

TECHNICAL SUPPORT • 1-855-303-1821 • www.cleancomfort.com

Our continuing commitment to quality products may mean a change in specifications without notice.
 © 2015 • **DAIKIN NORTH AMERICA LLC** • Houston, Texas • Printed in the USA.