



Air Conditioning & Heating

# GMVC8 / GCVC8

HEATING INPUT: 60,000–100,000 BTU/H

COMFORTNET™-COMPATIBLE  
TWO-STAGE, VARIABLE-SPEED  
GAS FURNACE  
80% AFUE



### Contents

Nomenclature.....	2
Product Specifications.....	3
Dimensions .....	5
Airflow Data.....	7
Wiring Diagram .....	15
Accessories .....	16

### Standard Features

- Two-stage gas valve operates on two-stage or single-stage thermostats
- ComfortNet™ Communications System compatible
- Efficient and quiet variable-speed ECM circulator motor gently ramps up or down according to heating or cooling demand
- SureStart® Silicon Nitride igniter designed for long igniter life
- Furnace control board with self-diagnostics and provisions for electronic air cleaner and 120-volt or 24-volt humidifiers
- Low constant fan speed circulates air throughout the home
- Quiet, two-speed induced draft blower
- California Low NOx emissions-compliant models available
- AHRI Certified; ETL Listed

### Cabinet Features

- Fully insulated, heavy-gauge steel cabinet with durable baked-enamel finish
- Multi-position installation:  
GMVC8: upflow, horizontal left or right  
GCVC8: downflow, horizontal left or right
- Removable bottom for side- or bottom-return applications
- Convenient left or right connection for gas/electric service
- Cabinet air leakage ( $Q_{Leak}$ )  $\leq$  2%
- Coil and furnace fit flush for most installations



\* Complete warranty details available from your local dealer or at [www.goodmanmfg.com](http://www.goodmanmfg.com). To receive the Lifetime Heat Exchanger Limited Warranty (good for as long as you own your home), 10-Year Unit Replacement Limited Warranty and 10-Year Parts Limited Warranty, online registration must be completed within 60 days of installation. Online registration is not required in California or Québec.

	<b>G</b>	<b>M</b>	<b>V</b>	<b>C</b>	<b>80</b>	<b>040</b>	<b>4</b>	<b>C</b>	<b>*</b>	<b>**</b>	
	1	2	3	4	5,6	7,8,9	10	11	12	13,14	
<b>BRAND</b>	<div style="display: flex; justify-content: space-between;"> <div style="width: 45%;"> <p>G - Goodman® Brand</p> <p>M - Upflow/Horizontal C - Downflow/Horizontal</p> <p>V - Variable Speed ECM / ComfortNet E - Multi-Speed ECM    S - Single Speed</p> <p>M - Modulating            S - Single Stage C - Two Stage              H - Convertible Single Phase</p> <p>80 - 80% AFUE</p> </div> <div style="width: 45%;"> <p><b>ENGINEERING</b> Major /Minor Revisions * Not used for inventory control.</p> <p><b>NOx</b> N - Natural Gas X - Low NOx</p> <p><b>CABINET WIDTH</b> A - 14"      C - 21" B - 17½"    D - 24½"</p> <p><b>MAXIMUM CFM</b> 2 - 800 CFM      4 - 1600 CFM 3 - 1200 CFM     5 - 2000 CFM</p> <p><b>MBTU/h</b> 040 - 40,000 BTU/h    100 - 100,000 BTU/h 060 - 60,000 BTU/h    120 - 120,000 BTU/h 080 - 80,000 BTU/h    140 - 140,000 BTU/h</p> </div> </div>										
<b>CONFIGURATION</b>											
<b>MOTOR</b>											
<b>GAS VALVE</b>											
<b>AFUE</b>											

	GMVC8 0603B*B	GMVC8 0604B*B	GMVC8 0803B*B	GMVC8 0804C*B	GMVC8 0805C*B	GMVC8 0805D*B	GMVC8 1005C*B
<b>HEATING CAPACITY</b>							
High Fire Input (BTU/h) <sup>1</sup>	60,000	60,000	80,000	80,000	80,000	80,000	100,000
High Fire Output (BTU/h) <sup>1</sup> :							
Natural Gas	48,000	48,000	64,000	64,000	64,000	64,000	80,000
LP Gas	48,000	48,000	64,000	64,000	64,000	64,000	80,000
Low Fire Input (BTU/h) <sup>1</sup>	42,000	42,000	56,000	56,000	56,000	56,000	70,000
Low Fire Output (BTU/h) <sup>1</sup> :							
Natural Gas	33,600	33,600	44,800	44,800	44,800	44,800	56,000
LP Gas	33,600	33,600	44,800	44,800	44,800	44,800	56,000
AFUE <sup>2</sup>	80	80	80	80	80	80	80
Available AC @ 0.5" ESP	1.5 - 3.0	1.5 - 4.0	1.5 - 3.0	3.0 - 4.0	2.0 - 5.0	2.5 - 5.0	2.0 - 5.0
Temperature Rise Range (° F)	15-45 / 15-45	20-50 / 20-50	30-60 / 35-65	25-55 / 20-50	20-50 / 20-50	20-50 / 30-60	25-55 / 25-55
<b>CIRCULATOR BLOWER</b>							
Size (D x W)	10" x 8"	10" x 8"	10" x 8"	11" x 10"	10" x 10"	11" x 10"	10" x 10"
Horsepower - RPM	1/2	3/4	1/2	1/2	3/4	3/4	3/4
Speed	Variable	Variable	Variable	Variable	Variable	Variable	Variable
Vent Diameter <sup>1</sup>	4"	4"	4"	4"	4"	4"	4"
No. of Burners	3	3	4	4	4	4	5
<b>ELECTRICAL DATA</b>							
Min. Circuit Ampacity <sup>3</sup>	7.75	10.6	7.75	7.75	10.6	10.6	10.6
Max. Overcurrent Device (amps) <sup>4</sup>	15	15	15	15	15	15	15
<b>SHIP WEIGHT (LBS)</b>							
	105	107	110	118	121	129	124

<sup>1</sup> Natural Gas BTU/h; for altitudes above from 0' to 4,500' above sea level, reduce input rating 4% for each 1,000' above 4,500' altitude. Low-fire rate is 70% of high-fire rate.

<sup>2</sup> DOE AFUE based upon Isolated Combustion System (ICS)

<sup>3</sup> Minimum Circuit Ampacity = (1.25 x Circulator Blower Amps) + ID Blower amps. Wire size should be determined in accordance with National Electrical Codes. Extensive wire runs will require larger wire sizes.

<sup>4</sup> Maximum Overcurrent Protection Device refers to maximum recommended fuse or circuit breaker size. May use fuses or HACR-type circuit breakers of the same size as noted.

**NOTES**

- All furnaces are manufactured for use on 115 VAC, 60 Hz, single-phase electrical supply.
- Gas Service Connection ½" FPT
- Important: Size fuses and wires properly and make electrical connections in accordance with the National Electrical Code and/or all existing local codes.

	<b>GVCV8 0603B*B</b>	<b>GVCV8 0803B*B</b>	<b>GVCV8 0805C*B</b>	<b>GVCV8 1005C*B</b>
<b>HEATING CAPACITY</b>				
High Fire Input (BTU/h) <sup>1</sup>	60,000	80,000	80,000	100,000
High Fire Output (BTU/h) <sup>1</sup>				
Natural Gas	48,000	64,000	64,000	80,000
LP Gas	48,000	64,000	64,000	80,000
Low Fire Input (BTU/h) <sup>1</sup>	42,000	56,000	56,000	70,000
Low Fire Output (BTU/h) <sup>1</sup>				
Natural Gas	33,600	44,800	44,800	56,000
LP Gas	33,600	44,800	44,800	56,000
AFUE <sup>2</sup>	80	80	80	80
Available AC @ 0.5" ESP	1.5 - 3.0	1.5 - 3.0	2.0 - 5.0	2.0 - 5.0
Temperature Rise Range (° F)	25-55 / 40-70	30-60 / 30-60	25-55 / 30-60	20-50 / 25-55
<b>CIRCULATOR BLOWER</b>				
Size (D x W)	10" x 8"	10" x 8"	10" x 10"	10" x 10"
Horsepower - RPM	1/2	1/2	3/4	3/4
Speed	Variable	Variable	Variable	Variable
Vent Diameter <sup>2</sup>	4"	4"	4"	4"
No. of Burners	3	4	4	5
<b>ELECTRICAL DATA</b>				
Min. Circuit Ampacity <sup>3</sup>	7.75	7.75	10.6	10.6
Max. Overcurrent Device (amps) <sup>4</sup>	15	15	15	15
<b>SHIP WEIGHT (LBS)</b>	105	109	125	129

<sup>1</sup> Natural Gas BTU/h; for altitudes above from 0' to 4,500' above sea level, reduce input rating 4% for each 1,000' above 4,500' altitude. Low-fire rate is 70% of high-fire rate.

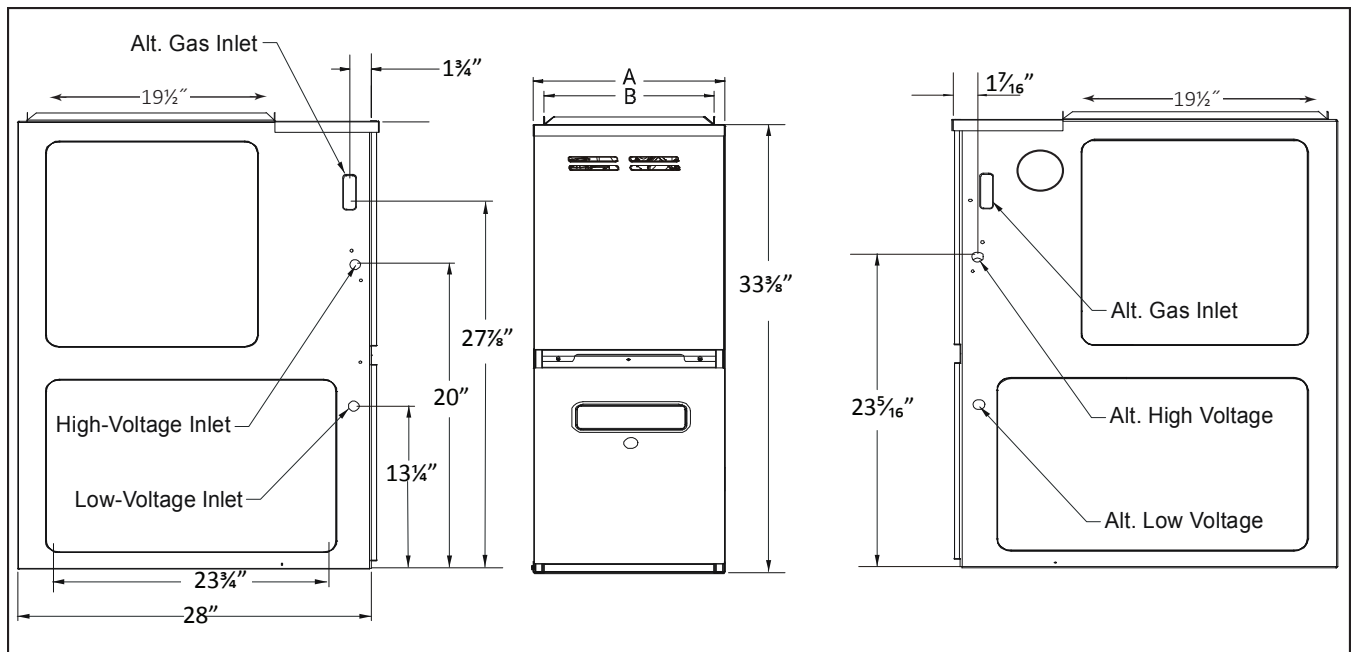
<sup>2</sup> DOE AFUE based upon Isolated Combustion System (ICS)

<sup>3</sup> Minimum Circuit Ampacity = (1.25 x Circulator Blower Amps) + ID Blower amps. Wire size should be determined in accordance with National Electrical Codes. Extensive wire runs will require larger wire sizes.

<sup>4</sup> Maximum Overcurrent Protection Device refers to maximum recommended fuse or circuit breaker size. May use fuses or HACR-type circuit breakers of the same size as noted.

**NOTES**

- All furnaces are manufactured for use on 115 VAC, 60 Hz, single-phase electrical supply.
- Gas Service Connection ½" FPT
- Important: Size fuses and wires properly and make electrical connections in accordance with the National Electrical Code and/or all existing local codes.



MODEL	DIMENSIONS			HEIGHTS	
	W	D	H	A	B
GMVC80603B**	17 1/2"	28"	33 3/8"	17 1/2"	16"
GMVC80604B**	17 1/2"	28"	33 3/8"	17 1/2"	16"
GMVC80803B**	17 1/2"	28"	33 3/8"	17 1/2"	16"
GMVC80804C**	21"	28"	33 3/8"	21"	19 1/2"
GMVC80805C**	21"	28"	33 3/8"	21"	19 1/2"
GMVC80805D**	24 1/2"	28"	33 3/8"	24 1/2"	23"
GMVC81005C**	21"	28"	33 3/8"	21"	19 1/2"

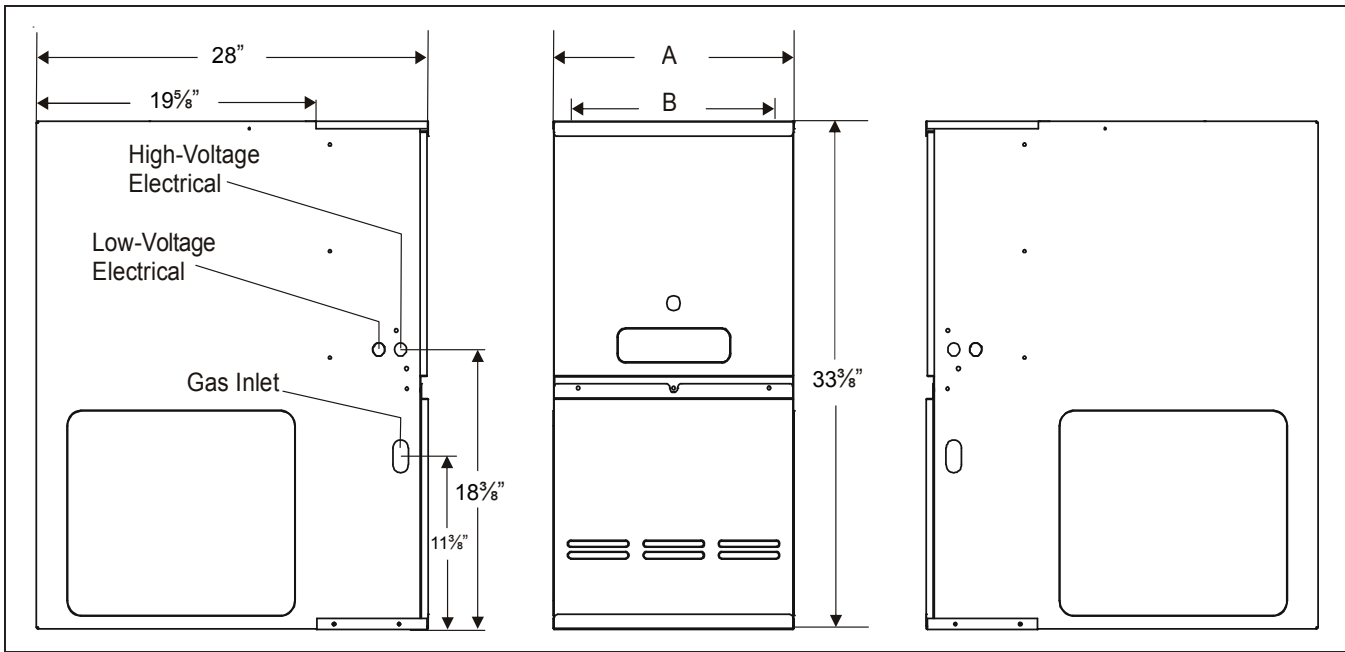
**MINIMUM CLEARANCES TO COMBUSTIBLE MATERIALS**

SIDES	REAR	FRONT	BOTTOM	VENT		TOP
				SW	B	
1	0	3	C	6	1	1

C = If placed on combustible floor, the floor MUST be wood ONLY.

**NOTES:**

- For servicing or cleaning, a 24" front clearance is recommended.
- Unit connections (electrical, flue, and drain) may necessitate greater clearances than the minimum clearances listed above.
- In all cases, accessibility clearance must take precedence over clearances from the enclosure where accessibility clearances are greater.
- Refer to the appropriate USA and Canadian codes:
  - In the USA: the National Fuel Gas Code NFPA 54 / ANSI Z223.1
  - In Canada: the Canada National Standard of Canada, CAN/CSA B149.1 and CAN/CSA B142.2



MODEL	DIMENSIONS			HEIGHTS	
	W	D	H	A	B
GVCV80603B**	17½"	28"	33⅜"	17½"	16"
GVCV80803B**	17½"	28"	33⅜"	17½"	16"
GVCV80805C**	21"	28"	33⅜"	21"	19½"
GVCV81005C**	21"	28"	33⅜"	21"	19½"

**MINIMUM CLEARANCES TO COMBUSTIBLE MATERIALS**

SIDES	REAR	FRONT <sup>1</sup>	VENT <sup>2</sup>		TOP
			SW	B	
1	0	3	6	1	1

Approved for line contact in the horizontal position.

<sup>1</sup> 24" clearance for serviceability recommended.

<sup>2</sup> Single Wall Vent (SW) to be used only as a connector. Refer to the venting tables outlined in the Installation Manual for additional venting requirements.

GMVC80603B*B* COOLING SPEEDS (@ .1" - .8" w.c. ESP)			
TAP	ADJUST	HIGH-STAGE CFM	LOW-STAGE CFM
A	Minus 10%	628	421
	Minus 5%	663	445
	Normal	698	468
	Plus 5%	732	491
	Plus 10%	768	515
B	Minus 10%	762	525
	Minus 5%	804	555
	Normal	847	584
	Plus 5%	889	613
	Plus 10%	932	642
C	Minus 10%	930	664
	Minus 5%	982	701
	Normal	1,034	738
	Plus 5%	1,086	775
	Plus 10%	1,137	812
D	Minus 10%	1,128	785
	Minus 5%	1,190	828
	Normal	1,253	872
	Plus 5%	1,316	915
	Plus 10%	1,378	959

GMVC80603B*B* HEATING SPEEDS (@ .1" - .5" w.c. ESP; RISE RANGE: 15° - 45°F)				
TAP	ADJUST	HIGH-STAGE CFM	LOW-STAGE CFM	RISE
A	Minus 10%	911	662	NR
	Minus 5%	961	698	NR
	Normal	1,012	735	44
	Plus 5%	1,063	772	42
	Plus 10%	1,113	809	40
B	Minus 10%	988	724	45
	Minus 5%	1,043	764	43
	Normal	1,098	804	40
	Plus 5%	1,153	844	39
	Plus 10%	1,208	884	37
C	Minus 10%	1,081	787	41
	Minus 5%	1,141	830	39
	Normal	1,201	874	37
	Plus 5%	1,261	918	35
	Plus 10%	1,321	961	34
D	Minus 10%	1,179	841	38
	Minus 5%	1,245	887	36
	Normal	1,310	934	34
	Plus 5%	1,376	981	32
	Plus 10%	1,441	1,027	31

GMVC80604B*B COOLING SPEEDS (@ .1" - .8" w.c. ESP)			
TAP	ADJUST	HIGH-STAGE CFM	LOW-STAGE CFM
A	Minus 10%	540	351
	Minus 5%	570	371
	Normal	600	390
	Plus 5%	630	410
	Plus 10%	660	429
B	Minus 10%	720	468
	Minus 5%	760	494
	Normal	800	520
	Plus 5%	840	546
	Plus 10%	880	572
C	Minus 10%	990	644
	Minus 5%	1,045	679
	Normal	1,100	715
	Plus 5%	1,155	751
	Plus 10%	1,210	787
D	Minus 10%	1,260	819
	Minus 5%	1,330	865
	Normal	1,400	910
	Plus 5%	1,470	956
	Plus 10%	1,540	1,001

GMVC80604B*B HEATING SPEEDS (@ .1" - .5" w.c. ESP; RISE RANGE: 20° - 50°F)				
TAP	ADJUST	HIGH-STAGE CFM	LOW-STAGE CFM	RISE
A	Minus 10%	1,125	788	40
	Minus 5%	1,188	831	37
	Normal	1,250	875	36
	Plus 5%	1,313	919	34
	Plus 10%	1,375	963	32
B	Minus 10%	1,215	851	37
	Minus 5%	1,283	898	35
	Normal	1,350	945	33
	Plus 5%	1,418	992	31
	Plus 10%	1,485	1,040	30
C	Minus 10%	1,305	914	34
	Minus 5%	1,378	964	32
	Normal	1,450	1,015	31
	Plus 5%	1,523	1,066	29
	Plus 10%	1,595	1,117	28
D	Minus 10%	1,395	977	32
	Minus 5%	1,473	1,031	30
	Normal	1,550	1,085	29
	Plus 5%	1,628	1,139	27
	Plus 10%	1,705	1,194	26

See Notes on Page 10.

GMVC8 AIRFLOW DATA (CONT.)

GMVC80803B*B* COOLING SPEEDS (@ .1" - .8" w.c. ESP)			
TAP	ADJUST	HIGH-STAGE CFM	LOW-STAGE CFM
A	Minus 10%	657	419
	Minus 5%	694	442
	Normal	730	465
	Plus 5%	767	488
	Plus 10%	803	512
B	Minus 10%	790	526
	Minus 5%	834	555
	Normal	878	584
	Plus 5%	922	613
	Plus 10%	966	642
C	Minus 10%	950	702
	Minus 5%	1,003	741
	Normal	1,056	780
	Plus 5%	1,109	819
	Plus 10%	1,162	858
D	Minus 10%	1,102	832
	Minus 5%	1,163	878
	Normal	1,224	924
	Plus 5%	1,285	970
	Plus 10%	1,346	1,016

GMVC80803B*B* HEATING SPEEDS (@ .1" - .5" w.c. ESP; RISE RANGE 30°F - 60°F)				
TAP	ADJUST	HIGH-STAGE CFM	LOW-STAGE CFM	RISE
A	Minus 10%	911	662	NA
	Minus 5%	961	698	NA
	Normal	1,012	735	59
	Plus 5%	1,063	772	56
	Plus 10%	1,113	809	53
B	Minus 10%	988	724	60
	Minus 5%	1,043	764	57
	Normal	1,098	804	54
	Plus 5%	1,153	844	51
	Plus 10%	1,208	884	49
C	Minus 10%	1,081	787	55
	Minus 5%	1,141	830	52
	Normal	1,201	874	49
	Plus 5%	1,261	918	47
	Plus 10%	1,321	961	45
D	Minus 10%	1,179	841	50
	Minus 5%	1,245	887	48
	Normal	1,310	934	45
	Plus 5%	1,376	981	43
	Plus 10%	1,441	1,027	41

GMVC80804C*B* COOLING SPEEDS (@ .1" - .8" w.c. ESP)			
TAP	ADJUST	HIGH-STAGE CFM	LOW-STAGE CFM
A	Minus 10%	771	529
	Minus 5%	814	559
	Normal	857	588
	Plus 5%	900	617
	Plus 10%	943	647
B	Minus 10%	946	668
	Minus 5%	998	705
	Normal	1,051	742
	Plus 5%	1,104	779
	Plus 10%	1,156	816
C	Minus 10%	1,156	790
	Minus 5%	1,220	834
	Normal	1,284	878
	Plus 5%	1,348	922
	Plus 10%	1,412	966
D	Minus 10%	1,454	944
	Minus 5%	1,535	997
	Normal	1,616	1,049
	Plus 5%	1,697	1,101
	Plus 10%	1,778	1,154

GMVC80804C*B* HEATING SPEEDS (@ .1" - .5" w.c. ESP; RISE RANGE: 25°F - 55°F)				
TAP	ADJUST	HIGH-STAGE CFM	LOW-STAGE CFM	RISE
A	Minus 10%	1,111	817	53
	Minus 5%	1,172	863	51
	Normal	1,234	908	48
	Plus 5%	1,296	953	46
	Plus 10%	1,357	999	44
B	Minus 10%	1,229	887	48
	Minus 5%	1,297	937	46
	Normal	1,365	986	43
	Plus 5%	1,433	1,035	41
	Plus 10%	1,502	1,085	39
C	Minus 10%	1,351	955	44
	Minus 5%	1,426	1,008	42
	Normal	1,501	1,061	39
	Plus 5%	1,576	1,114	38
	Plus 10%	1,651	1,167	36
D	Minus 10%	1,456	1,028	41
	Minus 5%	1,537	1,085	39
	Normal	1,618	1,142	37
	Plus 5%	1,699	1,199	35
	Plus 10%	1,780	1,256	33

See Notes on Page 10.



GMVC80805C*B COOLING SPEEDS (@ .1" - .8" w.c. ESP)			
TAP	ADJUST	HIGH-STAGE CFM	LOW-STAGE CFM
A	Minus 10%	720	468
	Minus 5%	760	494
	Normal	800	520
	Plus 5%	840	546
	Plus 10%	880	572
B	Minus 10%	990	644
	Minus 5%	1,045	679
	Normal	1,100	715
	Plus 5%	1,155	751
	Plus 10%	1,210	787
C	Minus 10%	1,260	819
	Minus 5%	1,330	865
	Normal	1,400	910
	Plus 5%	1,470	956
	Plus 10%	1,540	1,001
D	Minus 10%	1,620	1,053
	Minus 5%	1,710	1,112
	Normal	1,800	1,170
	Plus 5%	1,890	1,229
	Plus 10%	1,980	1,287

GMVC80805C*B HEATING SPEEDS (@ .1" - .5" w.c. ESP; RISE RANGE: 20° - 50°F)				
TAP	ADJUST	HIGH-STAGE CFM	LOW-STAGE CFM	RISE
A	Minus 10%	1,350	945	44
	Minus 5%	1,425	998	42
	Normal	1,500	1,050	40
	Plus 5%	1,575	1,103	38
	Plus 10%	1,650	1,155	36
B	Minus 10%	1,440	1,008	41
	Minus 5%	1,520	1,064	40
	Normal	1,600	1,120	37
	Plus 5%	1,680	1,176	35
	Plus 10%	1,760	1,232	34
C	Minus 10%	1,530	1,071	39
	Minus 5%	1,615	1,131	37
	Normal	1,700	1,190	35
	Plus 5%	1,785	1,250	33
	Plus 10%	1,870	1,309	32
D	Minus 10%	1,620	1,134	37
	Minus 5%	1,710	1,197	35
	Normal	1,800	1,260	33
	Plus 5%	1,890	1,323	31
	Plus 10%	1,980	1,386	30

GMVC80805D*B* COOLING SPEEDS (@ .1" - .8" w.c. ESP)			
TAP	ADJUST	HIGH-STAGE CFM	LOW-STAGE CFM
A	Minus 10%	747	524
	Minus 5%	789	553
	Normal	830	582
	Plus 5%	872	611
	Plus 10%	913	640
B	Minus 10%	1,025	707
	Minus 5%	1,082	747
	Normal	1,139	786
	Plus 5%	1,196	825
	Plus 10%	1,253	865
C	Minus 10%	1,405	942
	Minus 5%	1,483	995
	Normal	1,561	1,047
	Plus 5%	1,639	1,099
	Plus 10%	1,717	1,152
D	Minus 10%	1,769	1,193
	Minus 5%	1,868	1,260
	Normal	1,966	1,326
	Plus 5%	2,064	1,392
	Plus 10%	2,163	1,459

GMVC80805D*B* HEATING SPEEDS (@ .1" - .5" w.c. ESP; RISE RANGE: 20° - 50°F)				
TAP	ADJUST	HIGH-STAGE CFM	LOW-STAGE CFM	RISE
A	Minus 10%	1,798	1,247	33
	Minus 5%	1,898	1,317	31
	Normal	1,998	1,386	30
	Plus 5%	2,098	1,455	28
	Plus 10%	2,198	1,525	27
B	Minus 10%	1,806	1,265	33
	Minus 5%	1,907	1,335	31
	Normal	2,007	1,405	30
	Plus 5%	2,107	1,475	28
	Plus 10%	2,208	1,546	27
C	Minus 10%	1,820	1,274	33
	Minus 5%	1,921	1,344	31
	Normal	2,022	1,415	29
	Plus 5%	2,123	1,486	28
	Plus 10%	2,224	1,557	27
D	Minus 10%	1,842	1,292	32
	Minus 5%	1,945	1,363	30
	Normal	2,047	1,435	29
	Plus 5%	2,149	1,507	28
	Plus 10%	2,252	1,579	26

See Notes on Page 10.

GMVC81005C*B COOLING SPEEDS (@ .1" - .8" w.c. ESP)			
TAP	ADJUST	HIGH-STAGE CFM	LOW-STAGE CFM
A	Minus 10%	720	468
	Minus 5%	760	494
	Normal	800	520
	Plus 5%	840	546
	Plus 10%	880	572
B	Minus 10%	990	644
	Minus 5%	1,045	679
	Normal	1,100	715
	Plus 5%	1,155	751
	Plus 10%	1,210	787
C	Minus 10%	1,260	819
	Minus 5%	1,330	865
	Normal	1,400	910
	Plus 5%	1,470	956
	Plus 10%	1,540	1,001
D	Minus 10%	1,620	1,053
	Minus 5%	1,710	1,112
	Normal	1,800	1,170
	Plus 5%	1,890	1,229
	Plus 10%	1,980	1,287

GMVC81005C*B HEATING SPEEDS (@ .1" - .5" w.c. ESP; RISE RANGE: 25° - 55°F)				
TAP	ADJUST	HIGH-STAGE CFM	LOW-STAGE CFM	RISE
A	Minus 10%	1,553	1,089	48
	Minus 5%	1,639	1,150	45
	Normal	1,725	1,210	43
	Plus 5%	1,811	1,271	41
	Plus 10%	1,898	1,331	39
B	Minus 10%	1,575	1,103	47
	Minus 5%	1,663	1,164	45
	Normal	1,750	1,225	42
	Plus 5%	1,838	1,286	40
	Plus 10%	1,925	1,348	38
C	Minus 10%	1,598	1,121	46
	Minus 5%	1,686	1,183	44
	Normal	1,775	1,245	42
	Plus 5%	1,864	1,307	40
	Plus 10%	1,953	1,370	38
D	Minus 10%	1,620	1,134	46
	Minus 5%	1,710	1,197	43
	Normal	1,800	1,260	41
	Plus 5%	1,890	1,323	39
	Plus 10%	1,980	1,386	37

- NOTES**
- These charts are for furnaces installed at 0' - 4,500'. At higher altitudes, a properly de-rated unit will have the same temperature rise at a particular CFM, while the ESP at that CFM will be lower.
  - The installation must be adjusted to obtain a temperature rise within the range listed on the furnace nameplate.
  - Do not operate above .5" w.c. ESP in heating mode.
  - Propane gas installations will have a high-stage rise approximately 4°F lower than shown in the tables.

**MINIMUM FILTER SIZES**

MODEL #	GMVC80604B*	GMVC80805C*	GMVC81005C*
Filter Size (in <sup>2</sup> )	(1) 16 x 25 (Side or Bottom)	(1) 16 x 25 (Side or Bottom) <sup>1</sup>	(2) 16 x 25 (Side) or (1) 20 x 25 (Bottom)

Note: Other size filters of equal or greater surface area may be used; filters may also be centrally located.  
<sup>1</sup> Use 2 - 16 X 25 filters on side returns or 20 X 25 filter on bottom return if furnace is connected to a cooling unit over 4 tons nominal capacity.

GVCV80603BxB* COOLING SPEEDS (@ .1" - .8" w.c. ESP)			
SPEED TAP	ADJUST TAP	HIGH-STAGE CFM	LOW-STAGE CFM
A	Minus 10%	568	371
	Minus 5%	599	391
	Normal	631	412
	Plus 5%	663	433
	Plus 10%	694	453
B	Minus 10%	755	513
	Minus 5%	797	542
	Normal	839	570
	Plus 5%	881	599
	Plus 10%	923	627
C	Minus 10%	945	646
	Minus 5%	998	682
	Normal	1,050	718
	Plus 5%	1,103	754
	Plus 10%	1,155	790
D	Minus 10%	1,115	758
	Minus 5%	1,177	800
	Normal	1,239	842
	Plus 5%	1,301	884
	Plus 10%	1,363	926

GVCV80603BxB* HEATING SPEEDS (@ .1" TO .5" W.C. ESP; RISE RANGE: 25° - 55°F)				
SPEED TAP	ADJUST TAP	HIGH-STAGE CFM	LOW-STAGE CFM	RISE
A	Minus 10%	996	706	45
	Minus 5%	1,052	745	42
	Normal	1,107	784	40
	Plus 5%	1,162	823	38
	Plus 10%	1,218	862	36
B	Minus 10%	1,078	766	41
	Minus 5%	1,138	808	39
	Normal	1,198	851	37
	Plus 5%	1,258	894	35
	Plus 10%	1,318	936	34
C	Minus 10%	1,184	830	38
	Minus 5%	1,250	876	36
	Normal	1,316	922	34
	Plus 5%	1,382	968	32
	Plus 10%	1,448	1,014	31
D	Minus 10%	1,266	865	35
	Minus 5%	1,337	913	33
	Normal	1,407	961	32
	Plus 5%	1,477	1,009	30
	Plus 10%	1,548	1,057	29

GVCV80803BxB* COOLING SPEEDS (@ .1" - .8" w.c. ESP)			
SPEED TAP	ADJUST TAP	HIGH-STAGE CFM	LOW-STAGE CFM
A	Minus 10%	579	381
	Minus 5%	611	402
	Normal	643	423
	Plus 5%	675	444
	Plus 10%	707	465
B	Minus 10%	704	524
	Minus 5%	743	553
	Normal	782	582
	Plus 5%	821	611
	Plus 10%	860	640
C	Minus 10%	884	621
	Minus 5%	928	656
	Normal	982	690
	Plus 5%	1,031	725
	Plus 10%	1,080	759
D	Minus 10%	1,080	722
	Minus 5%	1,140	762
	Normal	1,200	802
	Plus 5%	1,260	842
	Plus 10%	1,320	882

GVCV80803BxB* HEATING SPEEDS (@ .1" TO .5" W.C. ESP; RISE RANGE: 30° - 60°F)				
SPEED TAP	ADJUST TAP	HIGH-STAGE CFM	LOW-STAGE CFM	RISE
A	Minus 10%	843	621	NR
	Minus 5%	890	656	NR
	Normal	937	690	NR
	Plus 5%	984	725	60
	Plus 10%	1,031	759	57
B	Minus 10%	940	669	NR
	Minus 5%	993	706	60
	Normal	1,045	743	57
	Plus 5%	1,097	780	54
	Plus 10%	1,149	817	52
C	Minus 10%	1,039	726	57
	Minus 5%	1,097	767	54
	Normal	1,155	807	51
	Plus 5%	1,213	847	49
	Plus 10%	1,270	888	47
D	Minus 10%	1,127	783	53
	Minus 5%	1,191	827	50
	Normal	1,254	870	47
	Plus 5%	1,317	914	45
	Plus 10%	1,379	957	43

NR = Not Recommended

GCVCS80805CXB* COOLING SPEEDS (@ .1" - .8" w.c. ESP)			
SPEED TAP	ADJUST TAP	HIGH-STAGE CFM	LOW-STAGE CFM
A	Minus 10%	735	479
	Minus 5%	776	505
	Normal	817	532
	Plus 5%	858	559
	Plus 10%	899	585
B	Minus 10%	1,011	659
	Minus 5%	1,067	695
	Normal	1,123	732
	Plus 5%	1,179	769
	Plus 10%	1,235	805
C	Minus 10%	1,301	848
	Minus 5%	1,373	895
	Normal	1,445	942
	Plus 5%	1,517	989
	Plus 10%	1,590	1,036
D	Minus 10%	1,675	1,077
	Minus 5%	1,768	1,137
	Normal	1,861	1,197
	Plus 5%	1,954	1,257
	Plus 10%	2,047	1,317

GCVCS80805CXB* HEATING SPEEDS (@ .1" TO .5" W.C. ESP; RISE RANGE: 25° - 55°F)				
SPEED TAP	ADJUST TAP	HIGH-STAGE CFM	LOW-STAGE CFM	RISE
A	Minus 10%	1,261	878	47
	Minus 5%	1,331	927	45
	Normal	1,401	976	42
	Plus 5%	1,471	1,025	40
	Plus 10%	1,541	1,074	38
B	Minus 10%	1,346	943	44
	Minus 5%	1,420	996	42
	Normal	1,495	1,048	40
	Plus 5%	1,570	1,100	38
	Plus 10%	1,645	1,153	36
C	Minus 10%	1,421	1,009	42
	Minus 5%	1,500	1,065	40
	Normal	1,579	1,121	38
	Plus 5%	1,658	1,177	36
	Plus 10%	1,737	1,233	34
D	Minus 10%	1,516	1,073	39
	Minus 5%	1,600	1,132	37
	Normal	1,684	1,192	35
	Plus 5%	1,768	1,252	34
	Plus 10%	1,852	1,311	32

**NOTES**

- These charts are for furnaces installed at 0' - 4,500'. At higher altitudes, a properly de-rated unit will have the same temperature rise at a particular CFM, while the ESP at that CFM will be lower.
- The installation must be adjusted to obtain a temperature rise within the range listed on the furnace nameplate.
- Do not operate above .5" w.c. ESP in heating mode.
- Propane gas installations will have a high-stage rise approximately 4°F lower than shown in the tables.

GVCV81005CXB* COOLING SPEEDS (@ .1" - .8" W.C. ESP)			
SPEED TAP	ADJUST TAP	HIGH-STAGE CFM	LOW-STAGE CFM
A	Minus 10%	763	500
	Minus 5%	806	528
	Normal	848	556
	Plus 5%	890	584
	Plus 10%	933	612
B	Minus 10%	1,059	754
	Minus 5%	1,118	796
	Normal	1,177	838
	Plus 5%	1,236	880
	Plus 10%	1,295	922
C	Minus 10%	1,332	928
	Minus 5%	1,406	979
	Normal	1,480	1,031
	Plus 5%	1,554	1,083
	Plus 10%	1,628	1,134
D	Minus 10%	1,693	1,169
	Minus 5%	1,787	1,234
	Normal	1,881	1,299
	Plus 5%	1,975	1,364
	Plus 10%	2,069	1,429

GVCV81005CXB* HEATING SPEEDS (@ .1" TO .5" W.C. ESP; RISE RANGE: 20° - 50°F)				
SPEED TAP	ADJUST TAP	HIGH-STAGE CFM	LOW-STAGE CFM	RISE
A	Minus 10%	1,432	1,035	NR
	Minus 5%	1,511	1,093	49
	Normal	1,591	1,150	47
	Plus 5%	1,671	1,208	44
	Plus 10%	1,750	1,265	42
B	Minus 10%	1,481	1,069	50
	Minus 5%	1,564	1,129	47
	Normal	1,646	1,188	45
	Plus 5%	1,728	1,247	43
	Plus 10%	1,811	1,307	41
C	Minus 10%	1,532	1,090	48
	Minus 5%	1,617	1,150	46
	Normal	1,702	1,211	44
	Plus 5%	1,787	1,272	41
	Plus 10%	1,872	1,332	40
D	Minus 10%	1,611	1,156	46
	Minus 5%	1,701	1,220	44
	Normal	1,790	1,284	41
	Plus 5%	1,880	1,348	39
	Plus 10%	1,969	1,412	38

**NOTES**

- These charts are for furnaces installed at 0' - 4,500'. At higher altitudes, a properly de-rated unit will have the same temperature rise at a particular CFM, while the ESP at that CFM will be lower.
- The installation must be adjusted to obtain a temperature rise within the range listed on the furnace nameplate.
- Do not operate above .5" w.c. ESP in heating mode.
- Propane gas installations will have a high-stage rise approximately 4°F lower than shown in the tables.

**CONTINUOUS FAN SPEEDS**

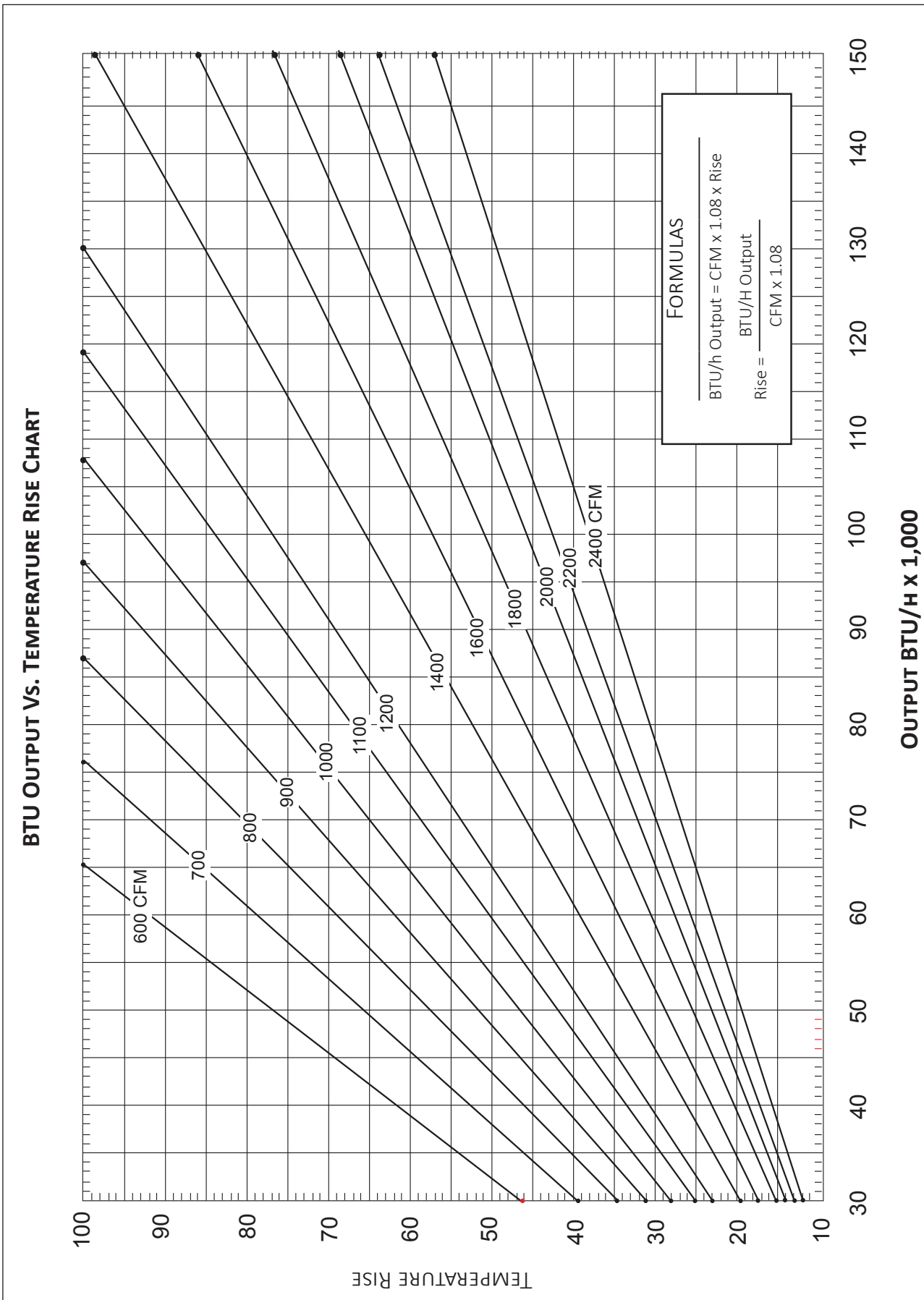
MODEL	FURNACE MAXIMUM CFM	CONTINUOUS FAN SPEED <sup>1,2</sup>
GVCV80603BXB*	1,760	530
GVCV80803BXB*	1,760	530
GVCV80805CXB*	2,000	600
GVCV81005CXB*	2,000	600

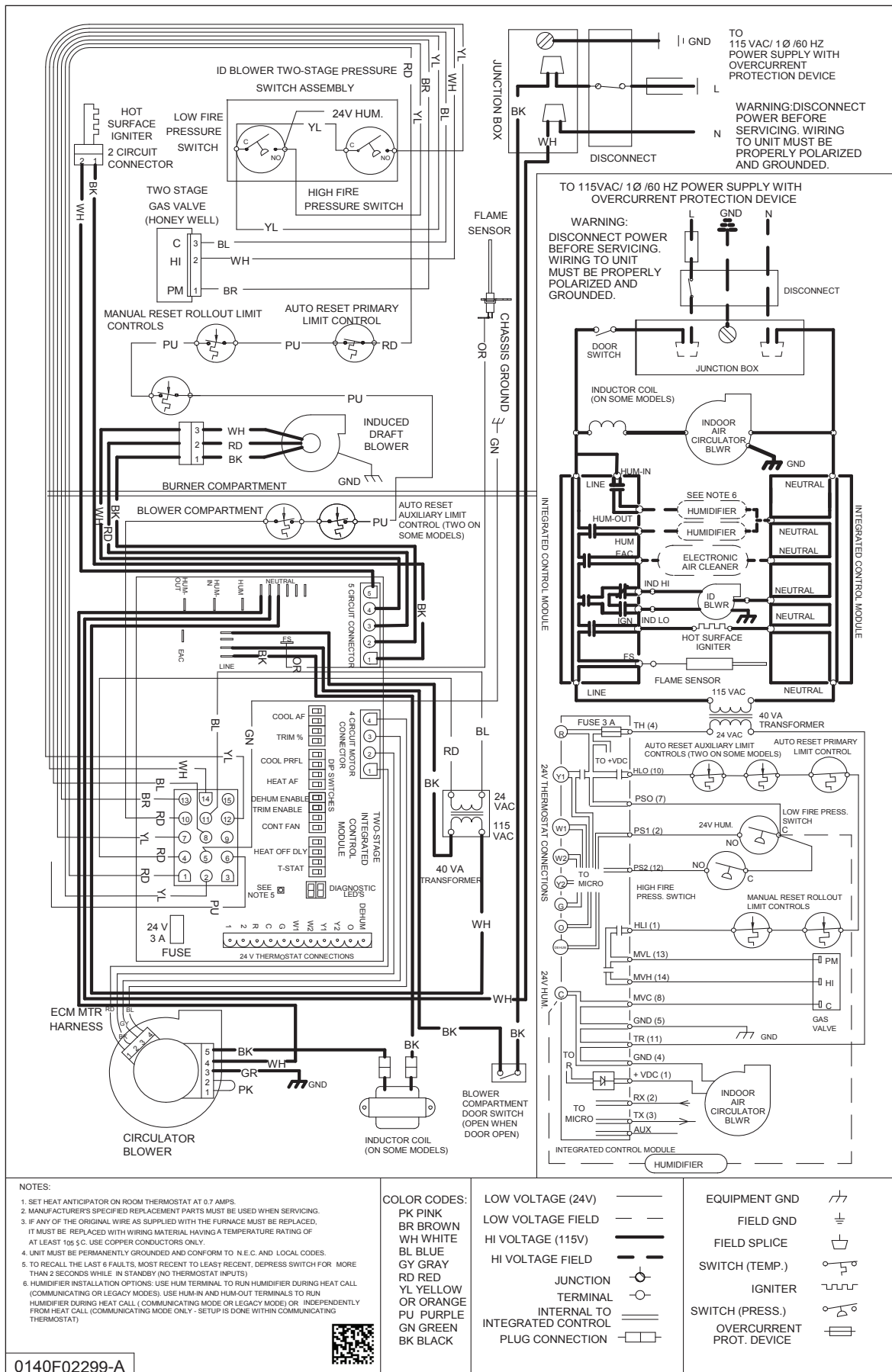
**MINIMUM FILTER SIZES**

MODEL #	GVCV80603B*	GVCV80805C*	GVCV81005C*
Filter Size (in <sup>2</sup> )	(2) 10 x 20 or (1) 16 x 25 (Top Return)	(2) 14 x 20 or (1) 20 x 25 (Top Return)	

Note: Other size filters of equal or greater surface area may be used; filters may also be centrally located.

<sup>1</sup> Use 2 - 16 X 25 filters on side returns or 20 X 25 filter on bottom return if furnace is connected to a cooling unit over 4 tons nominal capacity.





**High Voltage:** Disconnect all power before servicing or installing this unit. Multiple power sources may be present. Failure to do so may cause property damage, personal injury, or death.

**WARNING**

Wiring is subject to change. Always refer to the wiring diagram or the unit for the most up-to-date wiring.

MODEL	DESCRIPTION
LPM-06	LP Conversion Kit (Springs & Orifice) <sup>1</sup>
AFE18-60A	Fossil Fuel Kit (must be used in a dual-fuel application with a compatible thermostat)
ASAS	Electronic Air Cleaners (sizes = -10, -11, -12 or -18)
AMU	Media Air Cleaners (sizes = 1620, 2020, 1625 or 2025)

<sup>1</sup> White-Rodgers and Honeywell valves